

"STAMPED" Support

STEEL

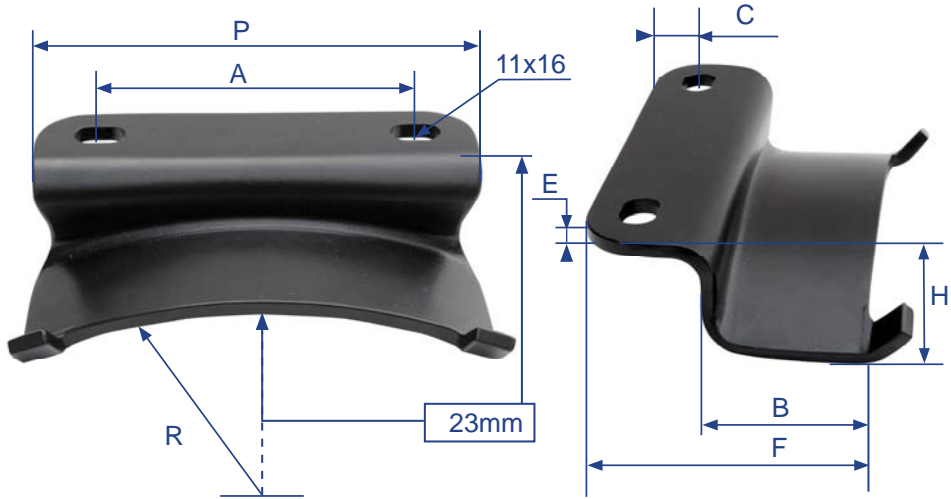
TYPE "B" STAMPED SUPPORT

Steel with a thickness of 5 mm.

Electrogalvanised and coated with 50 micron thick layer epoxy black paint.

Distance between the chassis of the vehicle and the top of the tank = 23 mm.

These supports accept straps up to 35 mm wide and are attached to the chassis by two M10 screws (not included). Sold individually in a plastic bag.



ALK Ref.	Tank Diameter = D	R	A	B	C	E	F	H	P
80.150.00	150	75	42	48	15	5	83	31	68
80.200.00	200	100	60	48	15	5	83	34	90
80.206.00	206	103	66	48	15	5	83	34	92
80.246.00	246	123	78	48	15	5	83	36	110
80.250.00	250	125	80	48	15	5	83	36	112
80.276.00	275-276	138	88	48	15	5	83	37	124
80.300.00	300	150	96	48	15	5	83	39	134
80.310.00	310	155	100	48	15	5	83	39	140
80.350.00	350	175	112	48	15	5	83	41	156
80.396.00	396	198	126	48	15	5	83	44	176
80.400.00	400	200	128	48	15	5	83	44	180

Dimensions in millimetres

D = External Diameter of the Tank in mm